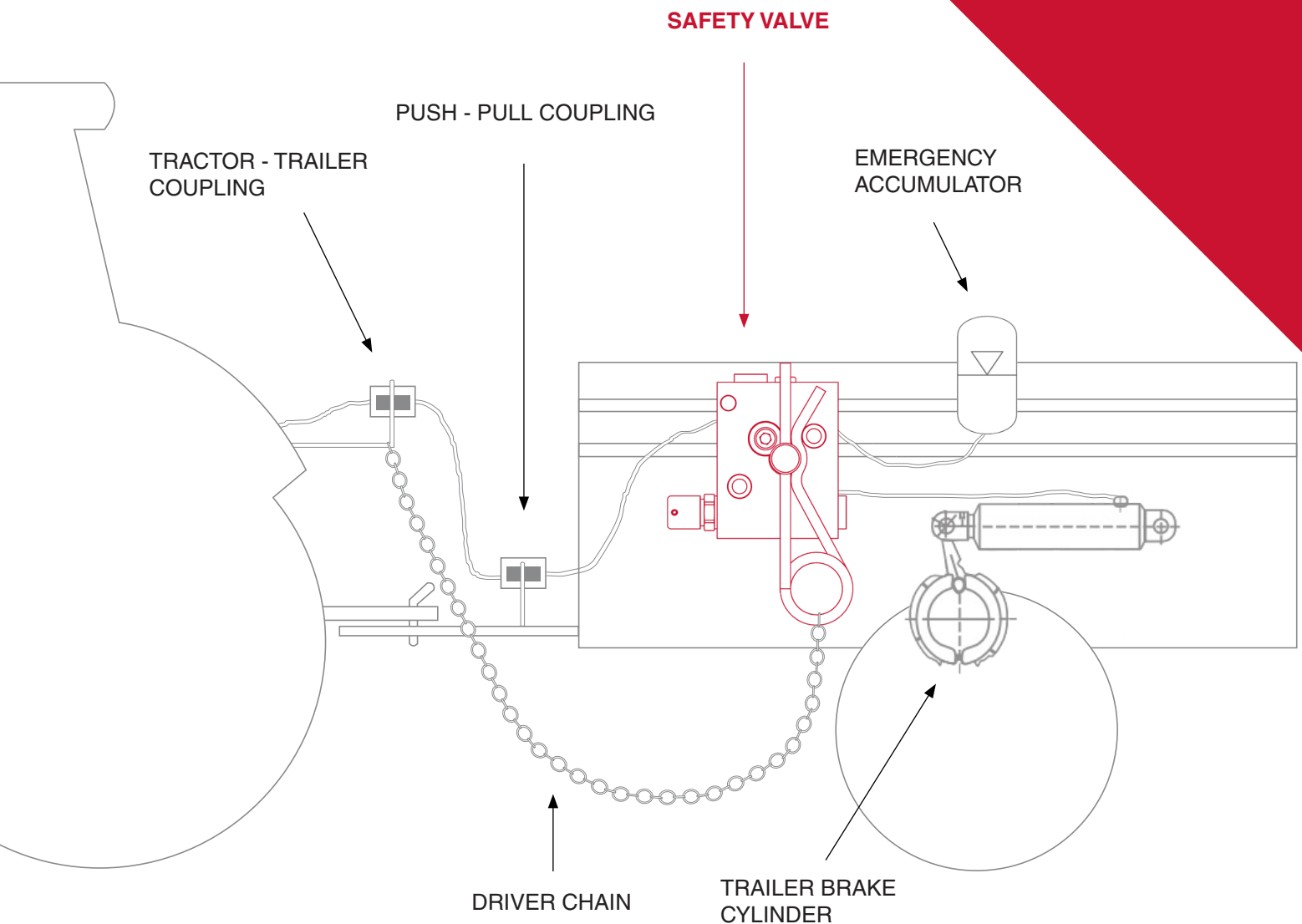


**SAFETY VALVE FOR  
AGRICULTURAL TRAILERS**



**SLANZI**  
CREATIVE HYDRAULIC SOLUTIONS

## APPLICATION



## MAIN FEATURES

In case of accidental disconnection of the trailer from the tractor, the rotation and subsequent disconnection of the valve cotter pin activates the hydraulic accumulator that puts pressure on the brakes of the trailer, and stops it.



SLANZI OLEODINAMICA s.r.l.

Via Provinciale Nord, 221 - 42017 NOVELLARA (RE)

Tel. 0522/651313 - 651298 - Fax 0522-756001 - E-mail: info@slanzi.it

[www.slanzi.it](http://www.slanzi.it)